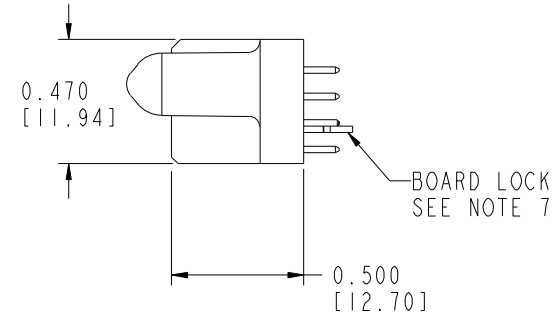
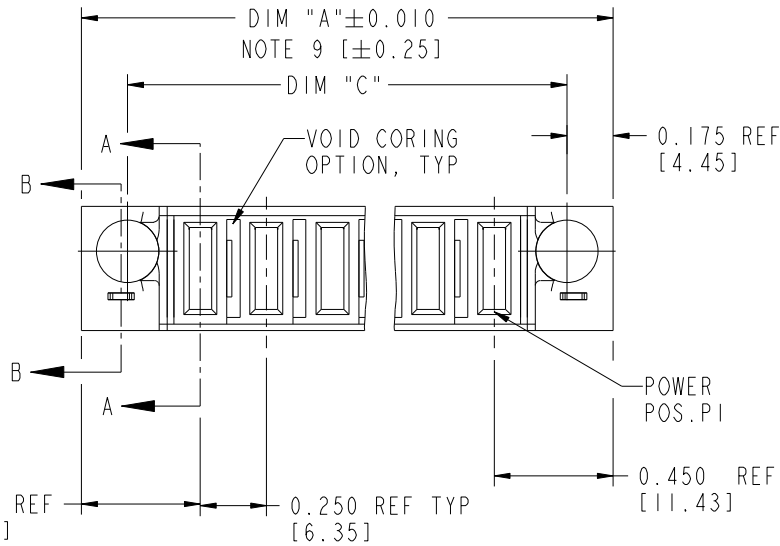
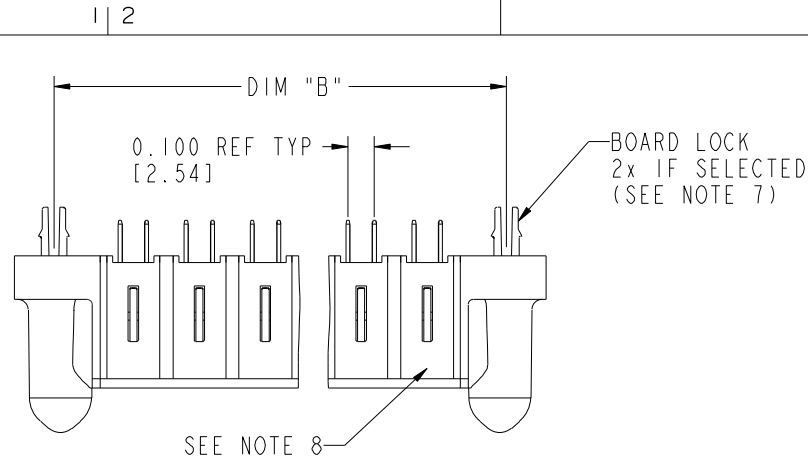


Tous droits strictement réservés. Reproduction ou communication à des tiers interdite sous quelque forme que ce soit sans autorisation écrite du propriétaire. Propriété de c.FCI. Droits de reproduction FCI.



All rights strictly reserved. Reproduction or issue to third parties in any form whatsoever is not permitted without written authority from the proprietor. Property of FCI. Copyright FCI.

PRODUCT NUMBER
51743-ABB00000EF__
Note: ①
SEE NOTE 1



mat'l code				SEE NOTE 2		tolerances unless otherwise specified		CUSTOMER		FCI	
ltr	ecn no.	dr	date	linear	.XX±.01/.X±.3	projection	COPY		www.fciconnect.com		
A	V02388	JWS	10/5/00		.XXX±.005/.XX±.13		title		VERTICAL RECEPTACLE w/GUIDE PIN POWER		
B	V03-1368	TAB	01/06/04	angles	.XXXX±.0020/.X±.051		INCH/MM		product family		code
C	DG05-0132	SJ	06/02/05	dr	0°±2°		scale		PWRBLADE		213
D	DG05-0153	SJ	06/10/05	enr	LEV4	10/14/99	3:2		size		sheet
E	DG08-0239	JC	09/11/08	chr	J. BROWN	10/14/99	A		dwg no		1 of 3
				appd	J. BROWN	10/14/99			51743		
sheet index	revision sheet	E	E	E							
		1	2	3							

cage code 22526

Pro/E

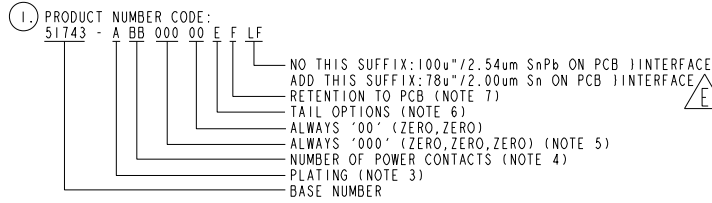
Tous droits strictement réservés. Reproduction ou communication à des tiers interdite sous quelque forme que ce soit sans autorisation écrite du propriétaire. Propriété de c FCI. Droits de reproduction FCI.

All rights strictly reserved. Reproduction or issue to third parties in any form whatever is not permitted without written authority from the proprietor. Property of FCI. Copyright FCI.

PRODUCT NUMBER
51743-ABB00000EF__ Note: ①
SEE NOTE 1

DIM	LENGTH FORMULAS (SEE NOTE 9)
DIM "A"	.250 [6.35] x BB + .650 [16.51] (NOTE 9)
DIM "B"	.250 [6.35] x BB + .350 [8.89]
DIM "C"	.250 [6.35] x BB + .300 [7.62]
DIM "F"	.250 [6.35] x BB + .680 [17.27]

CONNECTOR NOTES:



- ②. HOUSING MATERIAL: GLASS FILLED V-0 HIGH TEMP THERMO PLASTIC
POWER CONTACT MATERIAL: COPPER ALLOY
- ③. PLATING OPTION:
SEE PRINT 10064183 FOR PLATING SPEC OF 51743-1BB00000EF; 51743-1BB00000EFLF
- ④. POWER CONTACT, 01 TO 20 AVAILABLE.
MAXIMUM OF 20 POWER CONTACTS PER CONNECTOR
- ⑤. THIS PART IS NOT AVAILABLE WITH SIGNAL CONTACTS.
- ⑥. TAIL OPTIONS:
A = .135±.010 [3.43±.25] SOLDER TO BOARD
C = .135±.010 [3.43±.25] PRESS FIT

- ⑦. RETENTION TO PCB OPTIONS:
A = BOARD LOCK (REQUIRES .098 + 0.002, - 0.001 [2.49 + 0.05, - 0.03] THRU HOLE IN PCB (NOT AVAILABLE WITH PRESS FIT.)
BOARD LOCK TO BE USED IN CONJUNCTION WITH AN 0.092[2.34] PCB OR THICKER
C = NO RETENTION FEATURE (ALL PRESS FIT)
 - ⑧. MANUFACTURE'S NAME, P/N, AND DATE CODE TO APPEAR ON THIS SURFACE.
 - ⑨. THE MAXIMUM OVERALL LENGTH (DIM A) OF A PART IS 8.00 [203.2].
 - 10. PRODUCT SPECIFICATION GS-12-149.
 - 11. REFERENCE 51698 FOR SPECIALS WORKSHEET.
- PCB NOTES:
- 12. ALL DIMENSIONS ARE BASIC UNLESS OTHERWISE SPECIFIED.
 - 13. ALL THROUGH HOLES ARE LOCATED WITH A TRUE POSITION OF 0.004 [0.10].
 - 14. ALL HOLE DIAMETERS ARE FINISHED HOLE SIZE.
 - 15. $\varnothing 0.0453 \pm 0.001$ [1.151 ± 0.02] DRILLED HOLES PLATED WITH 0.0003 [0.007] MIN SnPb OVER 0.001 [0.03] TO 0.003 [0.08] PLATING TO ACHIEVE A 0.040 ± 0.003 [1.02 ± 0.08] HOLE.
 - 16. A \triangle SYMBOL WILL BE NEXT TO ANY DIMENSION, VIEW, OR NOTE WHICH HAS BEEN MODIFIED WITH THE CURRENT DRAWING REVISION.

mat'l code SEE NOTE 2				tolerances unless otherwise specified		CUSTOMER		FCJ	
ltr	ecr no.	dr	date	linear	.XX±.01/.X±.3	COPY		www.fciconnect.com	
E					.XXX±.005/.XX±.13	projection		title VERTICAL RECEPTACLE w/GUIDE PIN POWER	
				angles	.XXX±.0020/.X±.051				
				dr	0°±2°	INCH/MM		product family PWRBLADE code	
				enr	LEV4 10/14/99	scale		size dwg no 213	
				chr	J. BROWN 10/14/99	3:2		sheet 2	
				appd	J. BROWN 10/14/99	A		51743	
sheet index	revision sheet								

cage code 22526

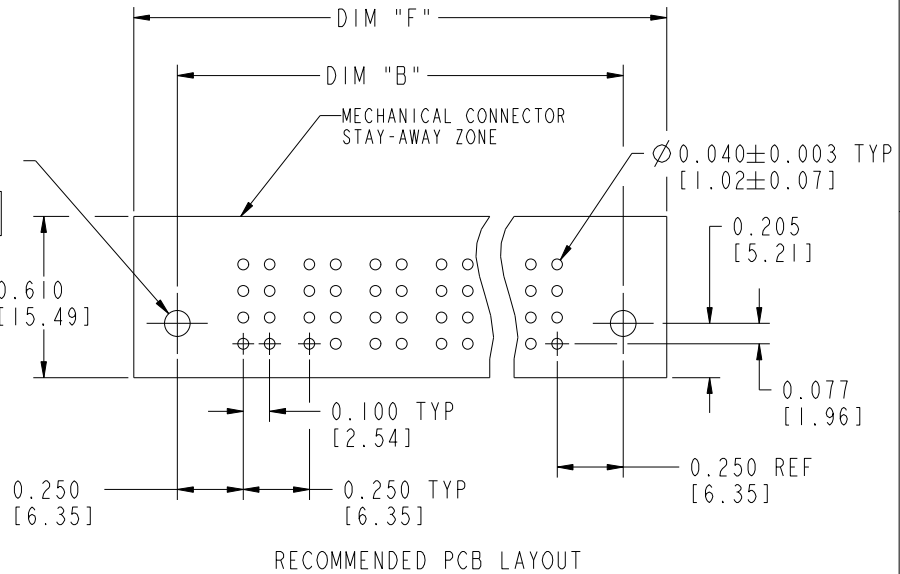
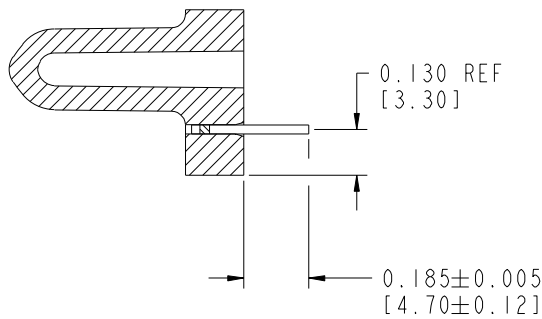
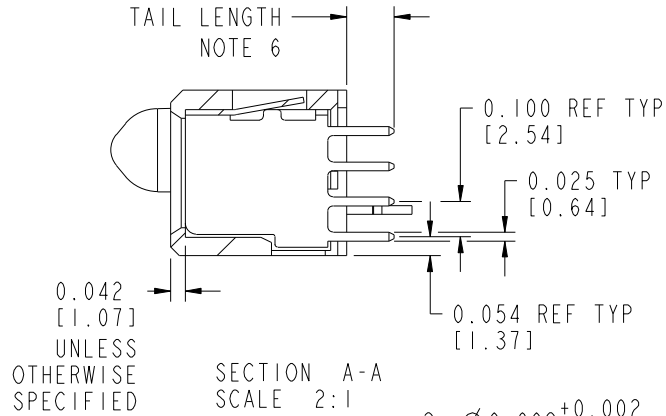
Pro/E

Tous droits strictement réservés. Reproduction ou communication à des tiers interdite sous quelque forme que ce soit sans autorisation écrite du propriétaire. Propriété de c.FCI. Droits de reproduction FCI.



All rights strictly reserved. Reproduction or issue to third parties in any form whatever is not permitted without written authority from the proprietor. Property of FCI. Copyright FCI.

PRODUCT NUMBER
51743-ABB00000EF_..
Note: ①
SEE NOTE 1



mat'l code		SEE NOTE 2		tolerances unless otherwise specified		CUSTOMER		FCI	
ltr	ecn no.	dr	date	linear	.XX±.01/.X±.3	projection	COPY	www.ficconnect.com	
E				angles	.XXX±.005/.XX±.13	INCH/MM	title	VERTICAL RECEPTACLE w/GUIDE PIN POWER	
				dr	.XXX±.0020/.X±.051	scale	product family	PWRBLADE	code
				enr	0°±2°	3:2	size	dwg no	213
				chr	LEV4 10/14/99		A	51743	sheet
				appd	J. BROWN 10/14/99				3
sheet index	revision sheet								

Pro/E

cage code 22526